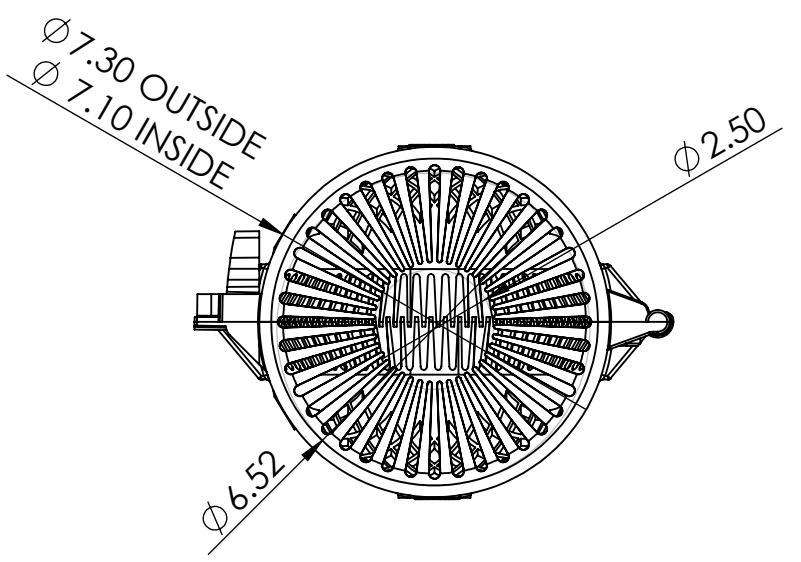
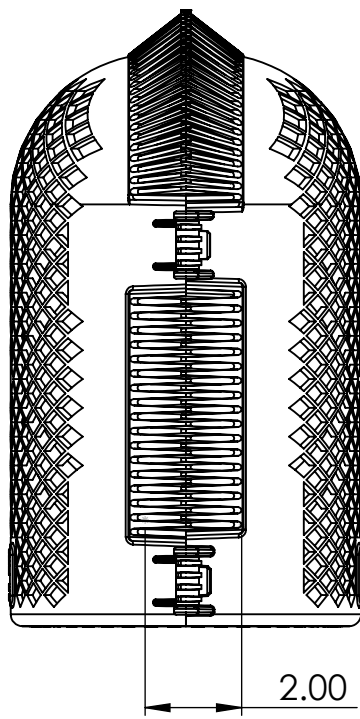
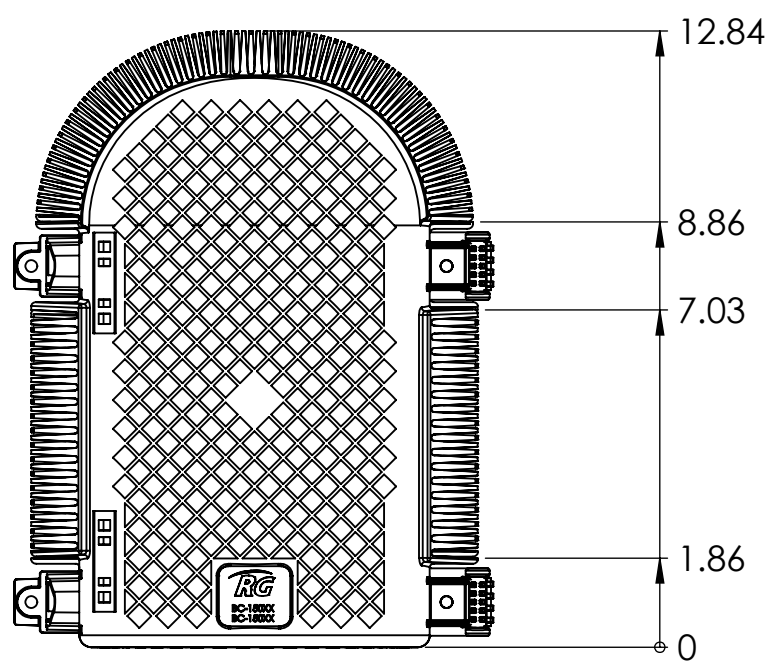
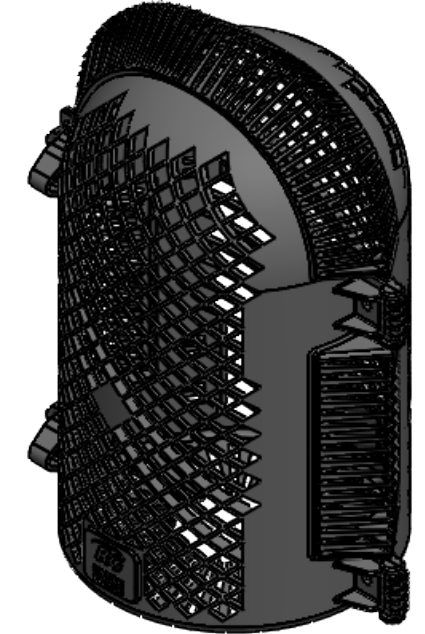
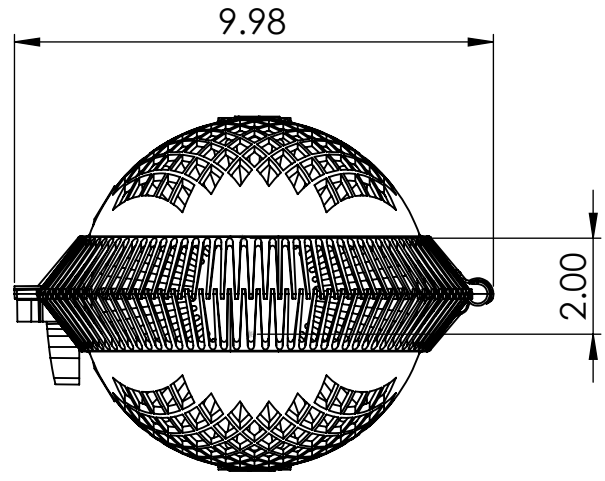


8 7 6 5 4 3 2 1



MATERIAL:
PROPRIETARY COMPOUND
"RELIATANUM"

TITLE:
#7M MESH BUSHING GUARD

PROPRIETARY AND CONFIDENTIAL

THE INFORMATION CONTAINED IN THIS DRAWING IS THE SOLE PROPERTY OF RELIAGUARD INC. ANY REPRODUCTION IN PART OR AS A WHOLE WITHOUT THE WRITTEN PERMISSION OF RELIAGUARD INC. IS PROHIBITED.

SIZE	DWG. NO.	REV
B	BC-15023	G

SCALE: 1:5 SHEET 1 OF 1

8 7 6 5 4 3 2 1

D
C
B
A

D
C
B
A